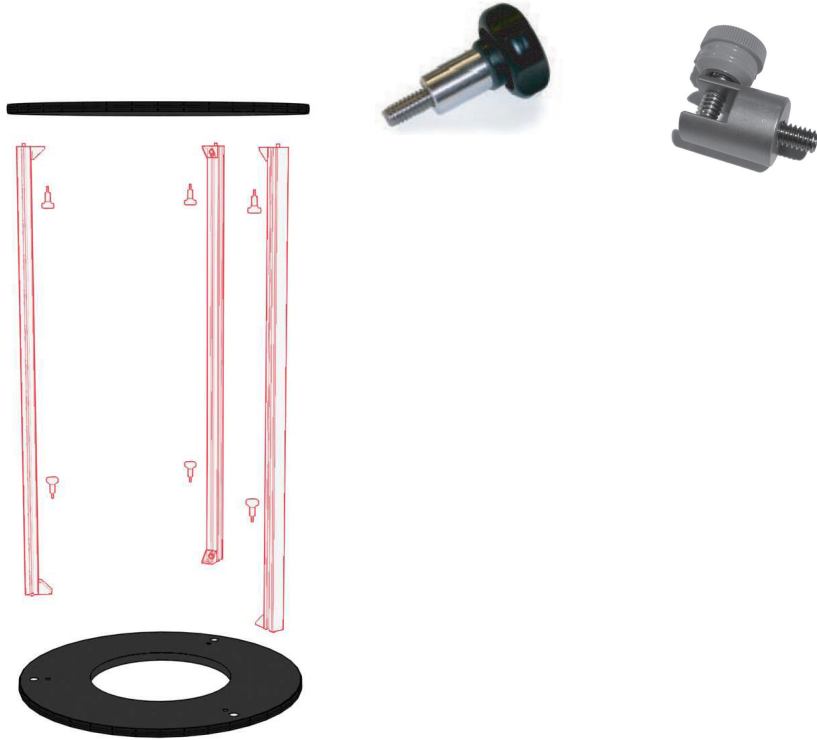


Xrline

Step 1. Attach top and bottom using x3 pedestal legs secure using x2 long knobs.



Step 2. Attach grippers to bottom of top; put light loops through grippers secure by tightening down wing knob.



Step 3. Pop in panels.



COMPLETE

